

Compact 1060nm Optical Isolator(1W)

(patents pending)

Product Description

The OI Series Optical Isolator is a passive device that guides lights at 1060 nm in the normal direction while minimizing back reflection and back scattering in the reverse direction for any state of polarization. With Agiltron's proprietary magnetic-optics technology and proven advanced micro optics design, it features low insertion loss, high isolation, compact structure, high power handling, and high stability. The excellent characteristics of this product make it an ideal choice for application in fiber amplifier systems, pump laser diodes, and optical fiber sensors. We currently offer a full range of polarization independent, polarization maintain, and multimode versions. Agiltron also provides customized design to meet special applications.



Performance Specifications

OI Series BIG based PI Isolator	Min	Typical	Max	Unit
Operation Wavelength	1060nm or Specify			nm
Insertion Loss ^{*,1}		1.3	1.6	dB
Wavelength Dependent Loss			0.2	dB
Isolation	28	35		
Polarization Dependent Loss		0.1	0.2	dB
Polarization extinction ratio		22 ^{**}		
Polarization Mode Dispersion			0.2	ps
Return Loss		50 ^{***}		dB
Optical Power Handling		0.8	1	W (CW)
Fiber Type	Hi1060, PM, customer			
Package Dimension	32x20x10.5			mm

* At 23°C

** PM and PZ device

*** Using Hi1060 fiber. LMA and DC fiber may variance.

1. Excluding connectors

Features

- Low Insertion Loss
- High Isolation
- Low PDL
- High Stability
- High Reliability
- Cost Effective

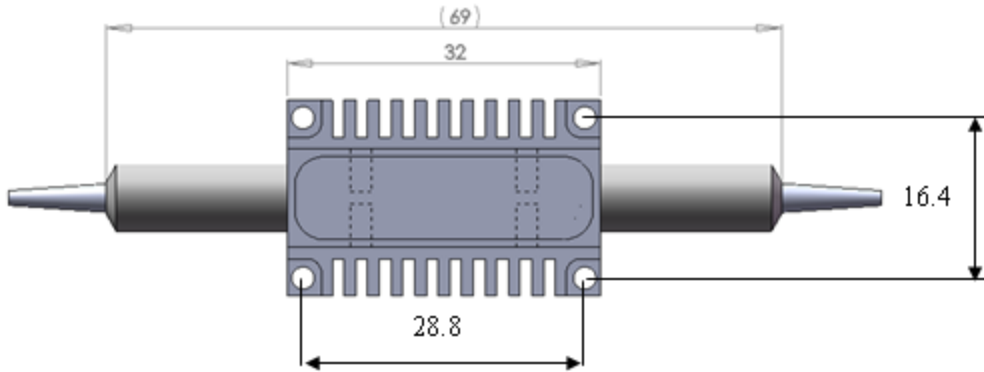
Applications

- Optical Fiber Amplifier
- Pump Laser Source
- Fiber Optic Sensor
- Test and Measurement
- Instrumentation

Compact 1060nm Optical Isolator (1W)

(patents pending)

Mechanical Dimensions (Unit:mm)



Ordering Information

OISB-	<input type="checkbox"/>	<input type="checkbox"/>	<input type="checkbox"/>	<input type="checkbox"/>	2	<input type="checkbox"/>	<input type="checkbox"/>	<input type="checkbox"/>	1*
Type	Wavelength		POWER	Package	Fiber Type		Fiber Length	Connector	
Polarization Independent=11 Polarization Maintaining=12 Polarizing=14 Multimode=13 Special=10	1060=1 Special=0		1w=1 Special=0		HI1060=2 HI1060 Flex=3 PM980=4 50/125=5 62.5/125=6 Special=0	Bare fiber=1 900um tube=3 Special=0	0.25M=1 0.5M=2 1.0M=3 Special=0		

* Agiltron provide high power connector, please call.