

2 μm High Power Fiber Circulator (patents pending)

Product Description

This 2 μm passive device transmits high power light from port-to-port in only one direction while minimizing back reflection and back scattering in the reverse directions for any state of polarization. Agiltron's proprietary magnetic-optics technology and advanced micro-optic technique enable industrial leading performance in power handling, low loss, reliability, and cost effective. Agiltron currently provides a full range of polarization-independent, polarization maintaining, and custom design versions with a broad wavelength coverage. We have experience to incorporate special fibers.

Features

- High Power Handling
- Low IL, PDL &TDL
- High Isolation
- High Reliability & Stability
- Cost Effective

Performance Specifications

OC2U High power Circulator	Min	Typical	Max	Unit
Operation Wavelength	1908	2000	2050	nm
Insertion Loss ¹		1.2		dB
Isolation ²		25		dB
Polarization Dependent Loss ³			0.2	dB
Extinction Ratio ³		22		dB
Polarization Mode Dispersion		0.1	0.2	ps
Return Loss		50		dB
Optical Power Handling ⁴			5	W
Fiber Type ⁵		SMF-28e/PM1550		
Operating temperature		0 to 60		°C
Storage Humidity		5% to 95% (No Condensation)		
Package Dimension (Body)		50x30x14		mm

Note:

1. Measured without connectors
2. Back Reflect < 10%. For >10% application, please call us.
3. PDL for polarization independent (PI) version, ER for polarization maintaining (PM) version.
4. Continuous operation, for pulse operation call.
5. SMF-28e for PI version, PM1550 for PM version, please call for customized fiber.

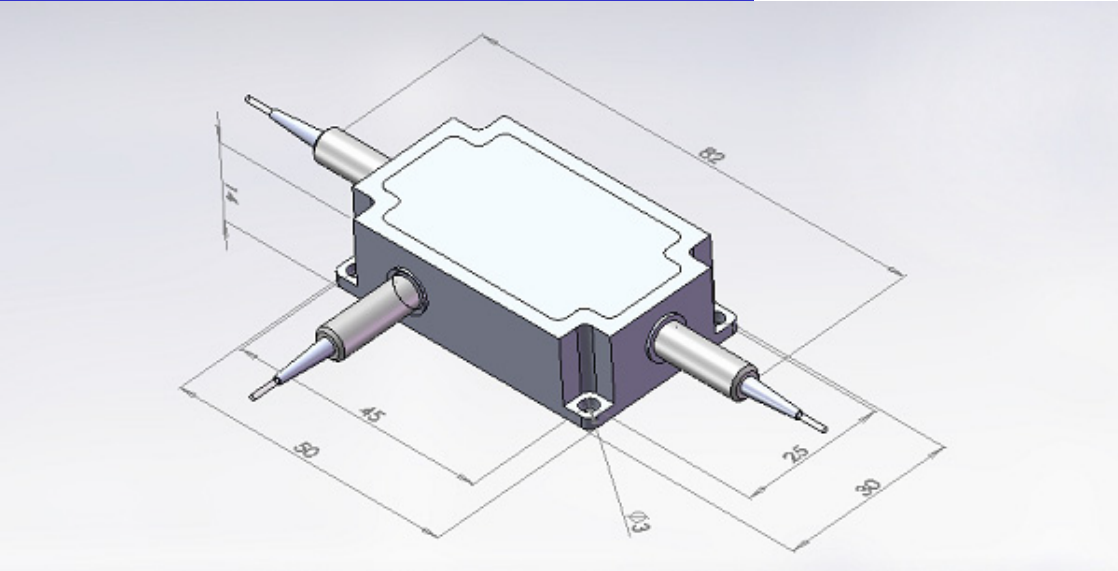
Applications

- Laser Pump Source
- Optical Fiber Amplifier
- Laser Manufacturing
- Test and Measurement

2 μm High Power Fiber Isolator

(patents pending)

Mechanical Footprint Dimensions (mm)



Ordering Information

OC2U-	<input type="checkbox"/>	<input type="checkbox"/>	<input type="checkbox"/>	<input type="checkbox"/>	<input type="checkbox"/>	<input type="checkbox"/>	<input type="checkbox"/>	<input type="checkbox"/>
Type	Wavelength	Power handling	Package	Fiber Type	Fiber Length	Connector		
Regular=11 PM=12 Special=00	2000=1 1908=2 1940=3 2050=4 Special=0	500mW=1 1W=2 5W=3	Standard =1 Special =0	SMF28=1 PM 1550=2 Special=0	Bare fiber=1 900um loose tube=3 Special=0	0.25M=1 0.5M=2 1.0 M=3 Special=0	None=1 FC/PC=2 FC/APC=3 SC/PC=4 SC/APC=5 ST/PC=6 LC=7 Special=0	