

Power Supply DDC 12 250

±12VDC, 0.25A



DATASHEET

[Return to the Webpage](#)



Power Supply ±12VDC, 0.25A. Detectors, Amplifiers

Features

- ±12VDC
- 0.25A

Specifications

Parameter	Min	Typical	Max	Unit
Output Voltage		±12		VDC
Output Current		0.25		A
Connector Type	M8 3 Pin Connector			
Compatible Products	Detectors, Amplifiers			

Applications

- Power Supply
- Detectors, Amplifiers

Note: The specifications provided are for general applications with a cost-effective approach. If you need to narrow or expand the tolerance, coverage, limit, or qualifications, please [\[click this link\]](#):

Legal notices: All product information is believed to be accurate and is subject to change without notice. Information contained herein shall legally bind Agiltron only if it is specifically incorporated into the terms and conditions of a sales agreement. Some specific combinations of options may not be available. The user assumes all risks and liability whatsoever in connection with the use of a product or its application.

Rev 04/03/25

© Photonwares Corporation

P +1 781-935-1200

E sales@photonwares.com

W www.agiltron.com

Information contained herein is deemed to be reliable and accurate as of the issue date. Photonwares reserves the right to change the design or specifications at any time without notice. Agiltron is a registered trademark of Photonwares Corporation in the U.S. and other countries.

Power Supply DDC 12 250

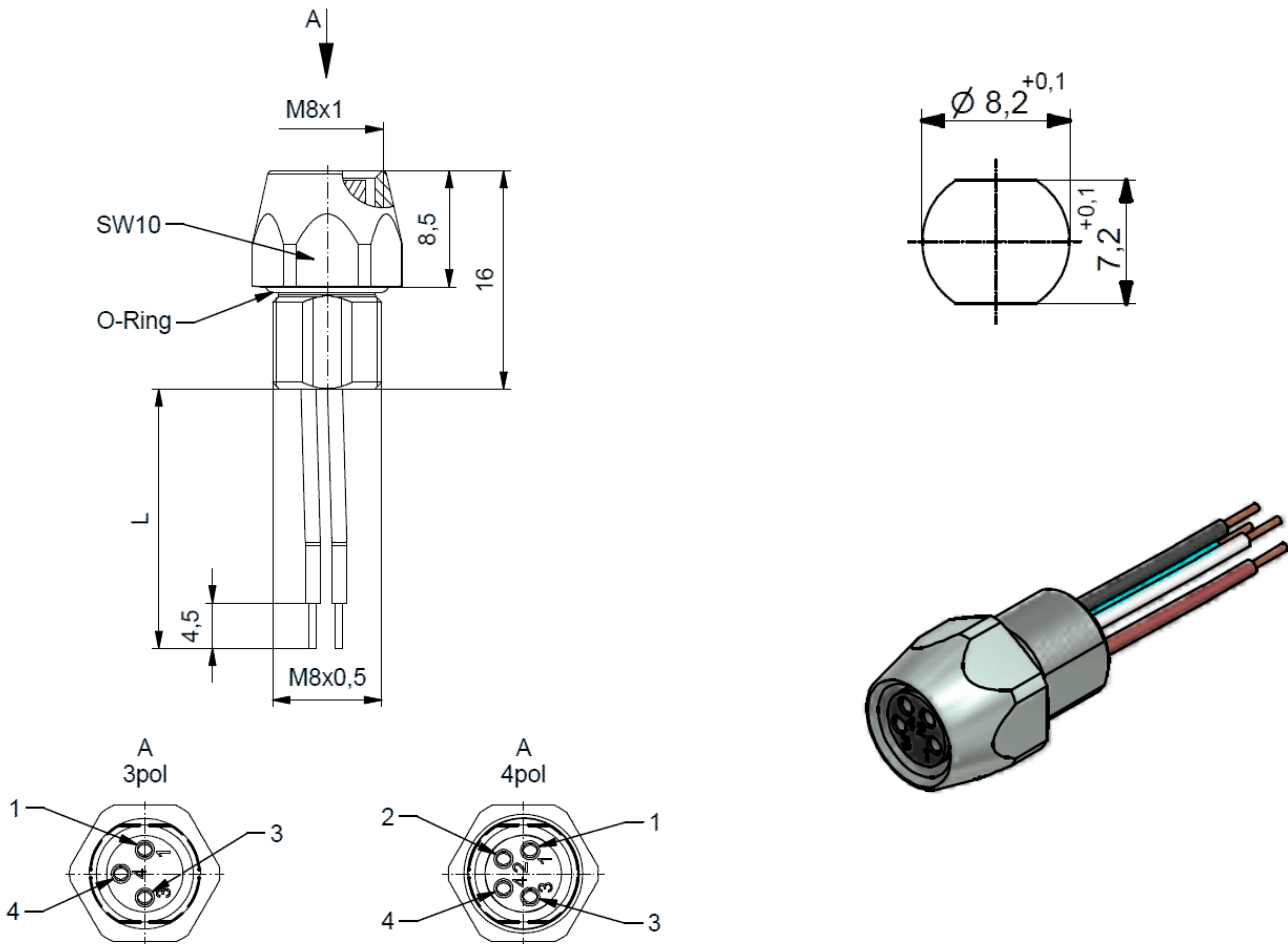
±12VDC, 0.25A



DATASHEET

Mechanical Dimensions (mm)

Mechanical Dimensions (mm) -- Connector



*Product dimensions may change without notice. This is sometimes required for non-standard specifications.

Power Supply DDC 12 250

±12VDC, 0.25A



DATASHEET

Ordering Information

Prefix	Output Voltage	Output Current	Connector Type				
DDC-	±12VDC = 12	0.25A = 02	M8 3 Pin Connector = 1				

need to check

Application Notes