

Power Supply SDC 5 500

5VDC, 0.5A



DATASHEET

[Return to the Webpage](#)



Power Supply 5VDC, 0.5A. Switches, Attenuators, Lasers, Modulators

Features

- 5VDC
- 0.5A

Specifications

Parameter	Min	Typical	Max	Unit
Output Voltage		5		VDC
Output Current		0.5		A
Connector Type	2.1/5.5 mm Phono Plug			
Compatible Products	Switches, Attenuators, Lasers, Modulators			

Applications

- Power Supply
- Switches, Attenuators, Lasers, Modulators

Note: The specifications provided are for general applications with a cost-effective approach. If you need to narrow or expand the tolerance, coverage, limit, or qualifications, please [click this link](#):

Legal notices: All product information is believed to be accurate and is subject to change without notice. Information contained herein shall legally bind Agiltron only if it is specifically incorporated into the terms and conditions of a sales agreement. Some specific combinations of options may not be available. The user assumes all risks and liability whatsoever in connection with the use of a product or its application.

Rev 04/03/25

© Photonwares Corporation

P +1 781-935-1200

E sales@photonwares.com

W www.agiltron.com

Information contained herein is deemed to be reliable and accurate as of the issue date. Photonwares reserves the right to change the design or specifications at any time without notice. Agiltron is a registered trademark of Photonwares Corporation in the U.S. and other countries.

Power Supply SDC 5 500

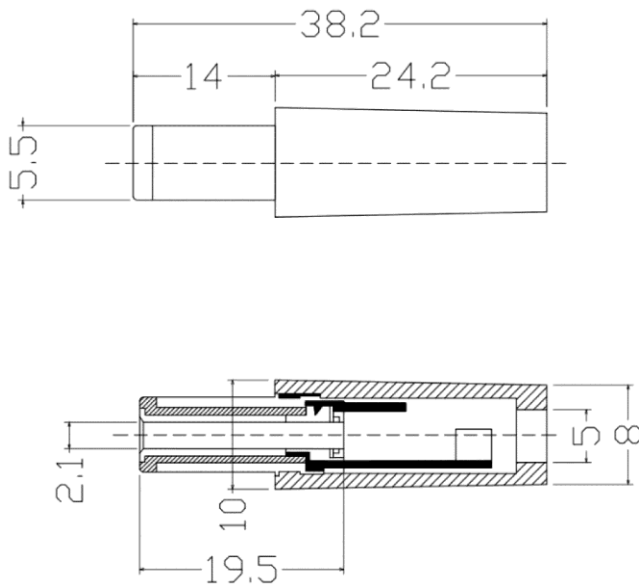
5VDC, 0.5A



DATASHEET

Mechanical Dimensions (mm)

Mechanical Dimensions (mm) -- Connector



Electrical parameter

Project	Parameter
Connector pin out	
Current rating/Voltage	5A/50V
Insulation resistance	$\geq 100M\Omega$
Contact Impedance	$\leq 50m\Omega$
Withstanding voltage	$\geq 1500VAC/1min$
Durability	$\geq 1X100000$ Cycles

*Product dimensions may change without notice. This is sometimes required for non-standard specifications.

Power Supply SDC 5 500

5VDC, 0.5A



DATASHEET

Ordering Information

Prefix	Output Voltage	Output Current	Connector Type				
SDC-	5VDC = 05	0.5A = 05	2.1/5.5 mm Phono Plug = 1				

need to check

Application Notes