

Seamless Channel Monitoring System

(Patent pending)

Product Description

Based on Agiltron's proprietary fiber optic variable coupling technology, the Seamless Multi-Channel Monitoring System provides the unique capability of selecting and monitoring any channel in a fiberoptic network without interruption of data stream, data intensity reduction and phase delay. It also taps out the data signals with high fidelity without intensity reduction. This system is ideal for cost effective and non-invasive network surveillance and monitoring applications.



Performance Specifications

Seamless Channel Monitoring System	Min	Typical	Max	Unit
Operation wavelength	1260	1550	1650	nm
Insertion Loss in all channels			1.5	dB
Additional loss in monitoring channel		0		dB
Optical power to monitor	-3			dBm
Return loss		>50		dB
Power consumption		7		W
Operating temperature		-5 to 65		°C
Interface	USB,	RS232,	Ethernet	

Features

- No data interruption
- Lossless
- No phase delay
- Scalable to 500 channels
- Non-invasive
- Full signal taping
- Cost effective

Applications

- Real-time, lossless seamless in-line channel monitoring



Lossless Seamless Channel Monitoring System

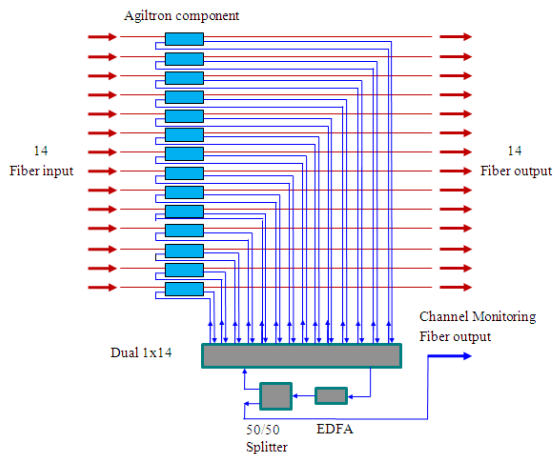
Mechanical Dimensions

Standard 19" case. The height is determined by channel number.

Electrical Interface

- RS 232
- Ethernet RJ45
- USB

Function Diagram (scalable)



Ordering Information

SSPM-	<input type="checkbox"/>	<input type="checkbox"/>	<input type="checkbox"/>	<input type="checkbox"/>	0	<input type="checkbox"/>	<input type="checkbox"/>	<input type="checkbox"/>	<input type="checkbox"/>
	Channels	Wavelength		Package	Fiber Type		Connector		
	8=008 14=014 16=016 32=032 64=064 128=128 Special=000	1060=1 1310=3 1410=4 1550=5 1310/1550=2 650=6 780=7 850=8 Special=0		Standard=1 Special=0	SMF-28 =1 MM 50/125=2 MM 62.5/125=3 Special=0	Bare fiber=1 loose tube=2 Special=0	None=1 FC/PC=2 FC/APC=3 SC/PC=4 SC/APC=5 ST/PC=6 LC=7 Duplex LC=8 Quad LC=9 Special=0		