

Solid-State UV Flood Light

Product Description

Agiltron's hand-held Solid-State UV Flood Light produces a large diameter UV beam with high power intensity for curing UV adhesives and coatings. It is compact, lightweight and user-friendly featuring low power consumption. Together with a long operation life, the high power LED device provides marked advantages over traditional lamp based alternatives. Agiltron's superior optical design achieves high light coupling efficiency of more than 85% as well as a well-distributed light spot intensity.

The easy to use device can be switched on/off by either a front panel control or an optional foot switch.

Highly efficient dissipation of heat allows the handset to operate continuously for more than 30 minutes.

The exposure time and UV light power are adjustable.



Features

- Portable
- High Power
- Low Operating Cost
- Long Operation Life

Performance Specifications

Parameter	Description	Unit
Wavelength	380, 400	nm
UV irradiance	0.8 *	W/cm ²
Cure timer	10 ~ 60	minute
UV beam size	50 x 100	mm
UV cure distance	15 ~ 25	cm
Operation life	20,000	hours

* Average intensity over an area of 50 x 100 mm at working distance.

Applications

- Large area UV curing
- UV irradiation experiments



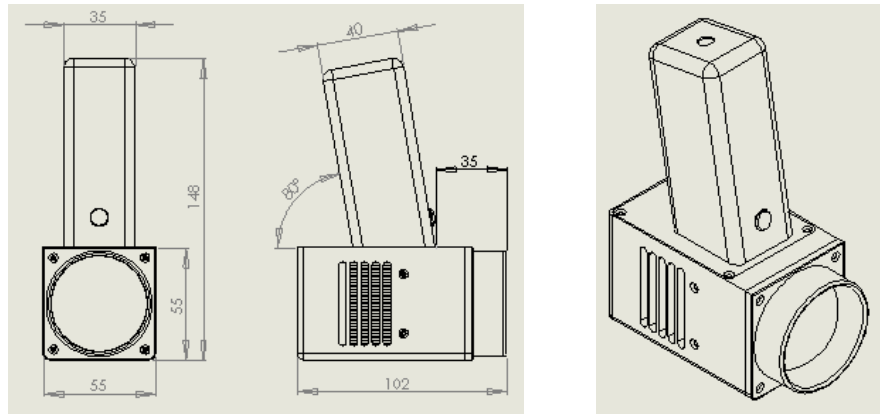
Solid-State UV Flood Light

Electrical Specifications

Component	Parameter	Unit
Power supply	AC 100 ~ 240	V
Fuse	2.0	A

Mechanical Footprint Dimensions

Component	Dimensions	Unit
UV cure head	55 x 52 x 148	mm
Driver	160 x 150 x 80	mm



Ordering Information

SUVB-	<input type="checkbox"/>	<input type="checkbox"/>	<input type="checkbox"/>	<input type="checkbox"/>	<input type="checkbox"/>	0	<input type="checkbox"/>	<input type="checkbox"/>
	Package	Wavelength	Beam Size	UV Power	UV Head Cord Length		Cooling Fan	Foot Switch
	Standard = 01 Special = 00	380 nm = 1 400 nm = 2	Standard = 1 Special = 0	Standard = 1 Special = 0	1.8 m = 1 Special = 0		Standard = 1 Special = 0	Yes = 1 No = 0

STANDARD CONFIGURATION

SUVB-011111011 A UV cure head (380 nm, 50x100mm beam size, 1.8 m head cord and cooling fan), a driver and a foot switch.

*Please contact Agiltron to discuss special configurations.
Replacement parts can be ordered separately.*



Revision: 060-14
06-6-11