

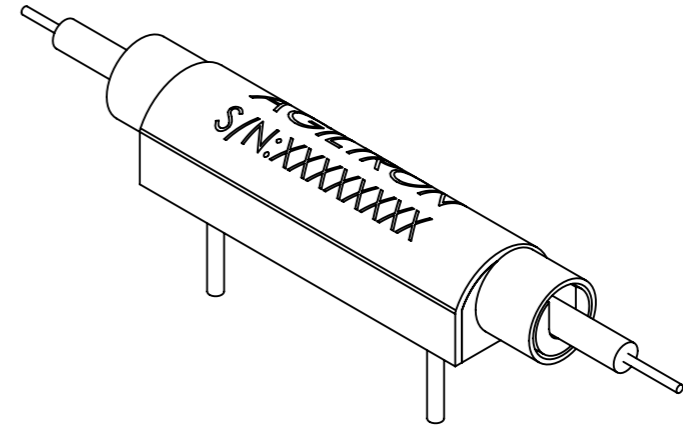
8 7 6 5 4 3 2 1

F

F

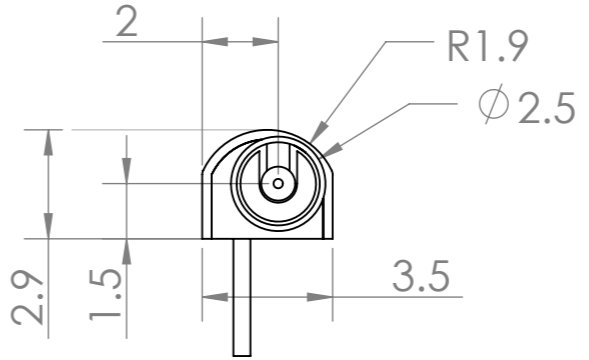
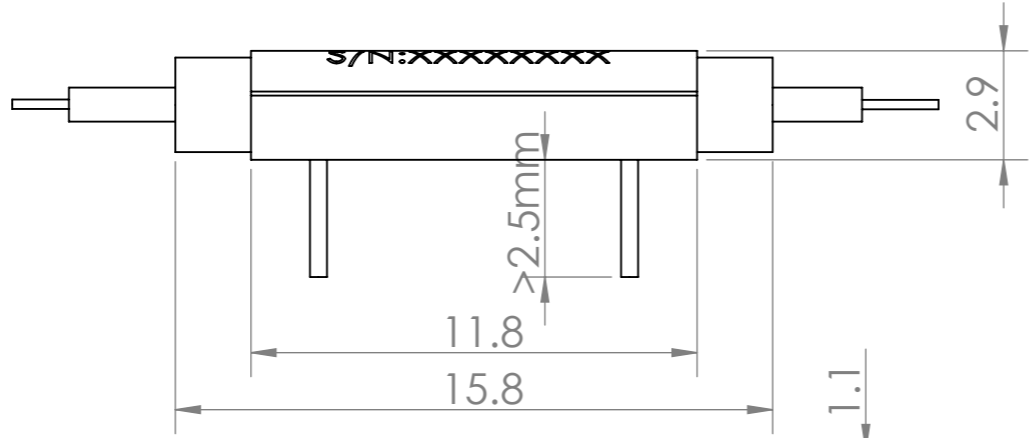
E

E



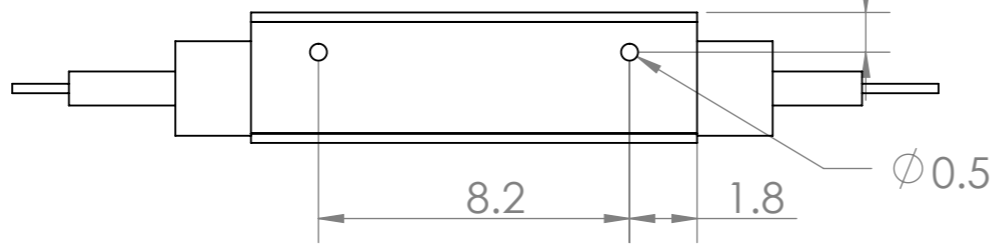
D

D



C

C




B

B

A

A

UNLESS OTHERWISE SPECIFIED:				NAME	DATE	DO NOT SCALE DRAWING	REVISION	
<p>1. DO NOT SCALE DRAWING. 2. INTERPRET PER ASME Y14.100M. 3. DIMENSIONS ARE IN METRIC. 4. SURFACE TEXTURE SHALL BE 125 5. REMOVE BURRS AND SHARP EDGES 6. DIMENSIONS APPLY BEFORE PLATING OR CONVERSION COATING. 7. PARENTHETICAL DATA IS FOR REFERENCE ONLY</p>				DRAWN				
				CHK'D			TITLE:	FVOA-NEW
				APPV'D			DWG NO.	
				MFG			SCALE: 5:1	
				Q.A			SHEET 1 OF 1	
<p>ON DECIMAL DIMENSIONS: .XXX +/-0.010 .XX +/-0.03 .X +/-0.1</p>		<p>ON ANGULAR DIMENSIONS: MACHINED +/-0°30' LOCATING +/-0°30' FORMED +/-2° CHANFERS +/-5°</p>		MATERIAL:			A3	
				WEIGHT:				

8 7 6 5 4 3 2 1