

**BUY NOW** 

# Dual Stage 850/980/1060 Optical Isolator

(patents pending)

## Product Description

The OI Series TGG based 850/980/1060 nm optical Isolator is a passive device that guides lights at 850/980/1060 nm in the normal direction while minimizing back reflection and back scattering in the reverse direction for any state of polarization. With Agiltron's proprietary magnetic-optics technology and proven advanced micro optics design, it features low insertion loss, super high isolation, broad operation wavelength, compact structure, high power handling, and high stability. We offer a full range of polarization independent, polarization maintain, and multimode versions. Agiltron also provides customized design to meet special applications.



## Features

- Low Insertion Loss
- High Isolation
- Low PDL
- High Stability
- Broad Wavelength Coverage
- Cost Effective

## Performance Specifications

OI Series TGG based PI Isolator		Min	Typical	Max	Unit
Operation Wavelength	850	840		860	nm
	980*	970		990	
	1060	1050		1070	
Insertion Loss <sup>1</sup>			1.1	1.5	dB
Wavelength Dependent Loss				0.2	dB
Isolation	850/1060	40	45		dB
Polarization Dependent Loss			0.15	0.25	dB
Polarization Mode Dispersion				0.2	ps
Return Loss		50			dB
Optical Power Handling			300		mW
Storage Temperature		-10		60	°C
Fiber Type		See order information			
Package Dimension*		(L)106x(W)34x(H)33			mm

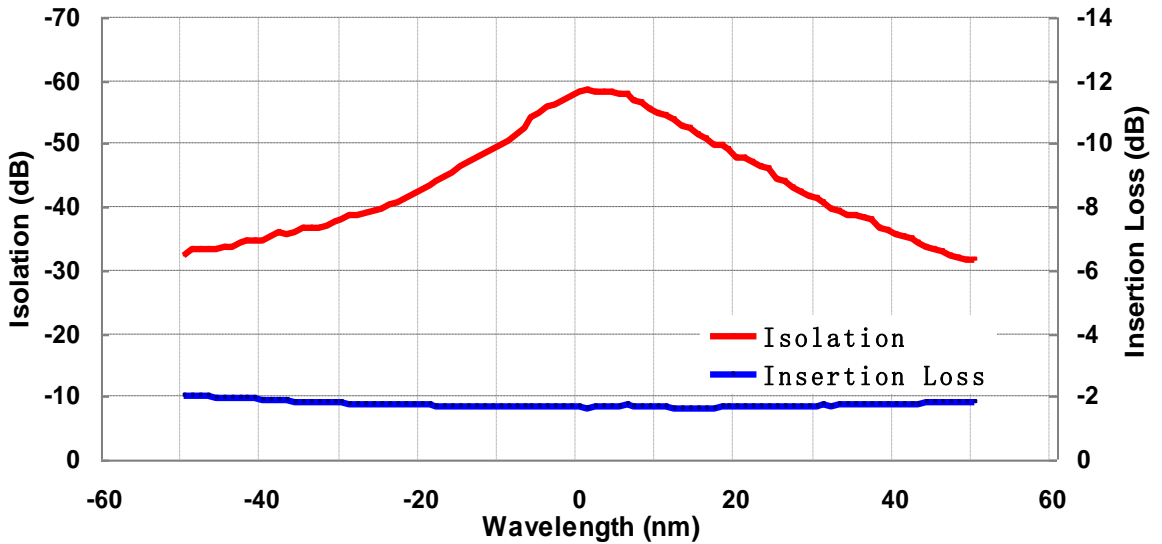
1. Excluding connectors  
 \*Package dimension for reference only

## Applications

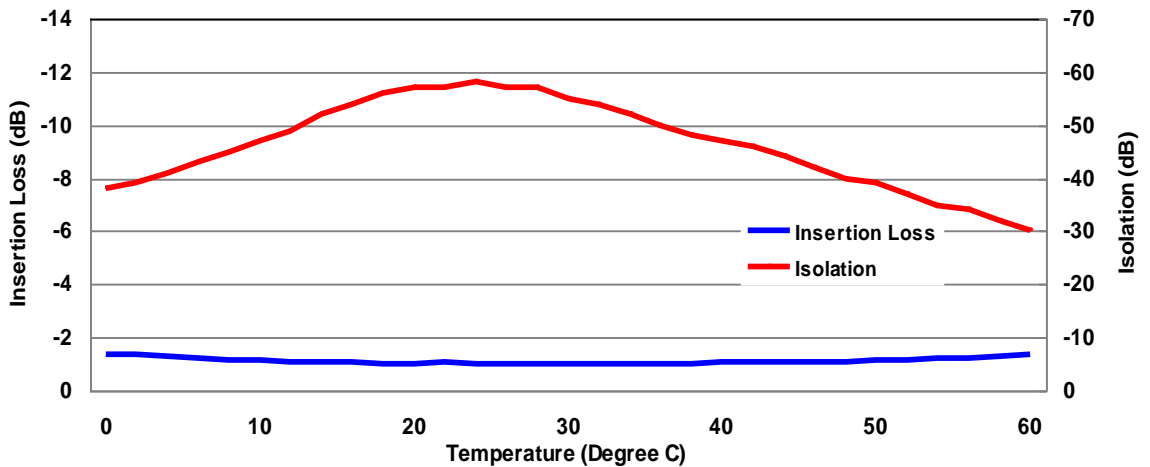
- Optical Fiber Amplifier
- Pump Laser Source
- Fiber Optic Sensor
- Test and Measurement
- Instrumentation

# TGG Based Polarization Independent Two Stage 850/980/1060 Optical Isolator

## Optical Performance

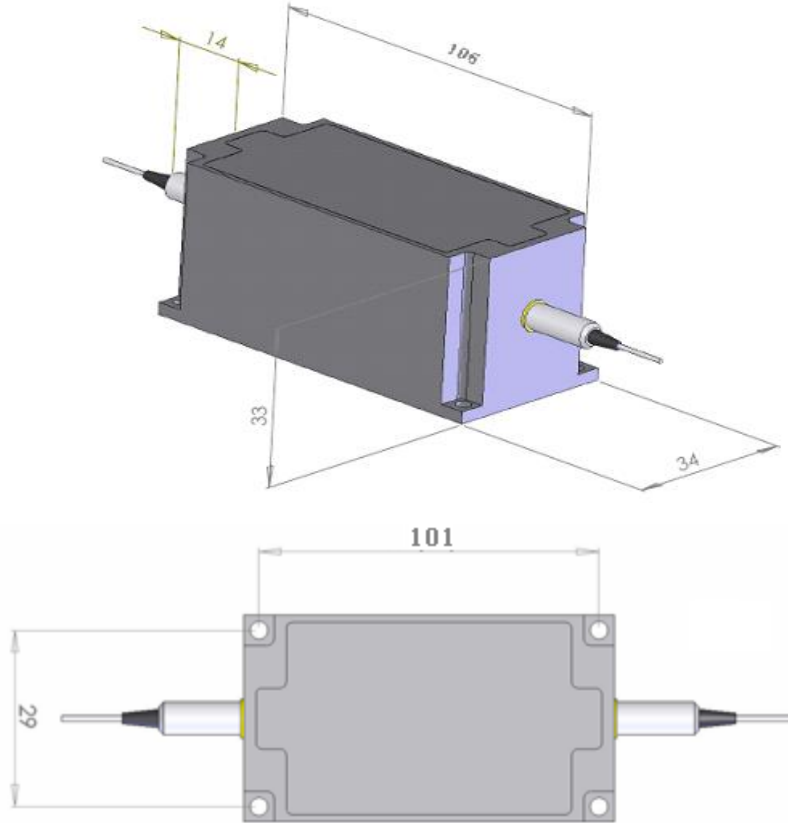


IL/ISO VS. Temp @ Center Wavelength



# Terbium Gallium Garnet Based Polarization Independent 850/980/1060 Optical Isolator

**Mechanical Dimensions: Standard Unit: mm**



\*Product dimensions may change without notice. This is sometimes required for non-standard specifications.

## Ordering Information

OIST-	<input type="checkbox"/>	<input type="checkbox"/>	<input type="checkbox"/>	3	<input type="checkbox"/>	<input type="checkbox"/>	<input type="checkbox"/>	<input type="checkbox"/>	<input type="checkbox"/>
	Type	Wavelength	Grade	Package	Fiber Type	Fiber Length	Connector		
	Polarization Independent=11 Special=10	1060nm=1 850nm=8 980nm=9 Special=0	Dual Stage=3	Standard=1 Small Size (850nm) =2 Special=0	HI1060=2 HI780=7 HI980=9 Special=0	Bare fiber=1 900um Loose tube=3 Special=0	0.25M=1 0.5M=2 1.0M=3 Special=0	None=1 FC/PC=2 FC/APC=3 SC/PC=4 SC/APC=5 ST/PC=6 LC=7 Special=0	