

Acousto-Optic Beam Deflectors 266-390nm

Quartz, Ø3, Ø5, Ø7mm



DATASHEET

[Return to the Webpage](#)



The AOBD Acousto-Optic Beam Deflectors offer non-mechanical, high-speed laser beam scanning up to 200 MHz, delivering precise position control with angular resolution in the nanoradian (nRad) range. The solid-state design ensures unmatched reliability and consistency, making these devices ideal for demanding applications requiring agile and accurate beam positioning. The AOBD operates by applying an RF signal to a phased array piezoelectric transducer, generating an acoustic wave inside the crystal. This wave forms a dynamic diffraction grating, which deflects an incoming laser beam at a specific angle when the Bragg condition is satisfied. By adjusting the RF driving frequency, the grating spacing changes, resulting in precise control of the diffraction angle. This mechanism enables random access beam positioning, continuous line scanning, and sequential point deflection with exceptional speed and accuracy. The AOBD series is specially optimized for UV wavelengths, supporting operation down to 266 nm. Available aperture include 3 mm, 5mm, and 7 mm, and they offer scan angles up to 5 mrad. Combined with our specially developed broadband RF drivers, the system supports advanced control methods such as frequency sweeping and chirping, enabling customers to quickly implement multi-functional scanning capabilities in a wide range of applications.

Features

- Non-Mechanical High Reliability
- Accurate and Reproducible Position Control
- Fast Scan Speeds

Applications

- Micro Machining
- Inspection
- Via Drilling
- Graphic Imaging

Specifications

Parameter	Min	Typical	Max	Unit
AO medium	Crystal quartz			
Acoustic mode	Longitudinal			
Wavelength	266		390	nm
Input polarization (to mounting plane)		90		°
Output polarization (to mounting plane)		90		°
Insertion loss		1		%
RF Frequency	266nm	210±60		MHz
	355nm	170±30		
RF power	266nm	20		W
	355nm	15		
Active aperture (Ø)	266nm	3		mm
	355nm	7		
Diffraction efficiency	266nm	40		%
	355nm	80		
Scan Angle	266nm	5.5		mrad
	355nm	3.7		
Input Impedance		50		Ω

Notes:

* Specifications subject to change.

Note: The specifications provided are for general applications with a cost-effective approach. If you need to narrow or expand the tolerance, coverage, limit, or qualifications, please [\[click this link\]](#):

Legal notices: All product information is believed to be accurate and is subject to change without notice. Information contained herein shall legally bind Agiltron only if it is specifically incorporated into the terms and conditions of a sales agreement. Some specific combinations of options may not be available. The user assumes all risks and liability whatsoever in connection with the use of a product or its application.

Rev 02/16/26



+1 781-935-1200

sales@agiltron.com

www.agiltron.com

Acousto-Optic Beam Deflectors Quartz UV

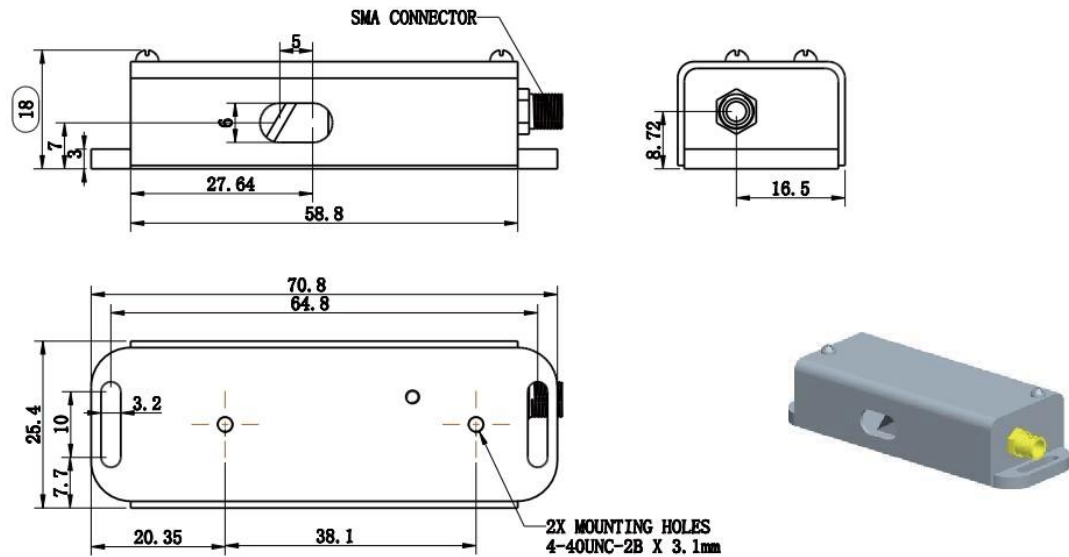
266nm, 355nm, Ø3, Ø5, Ø7mm



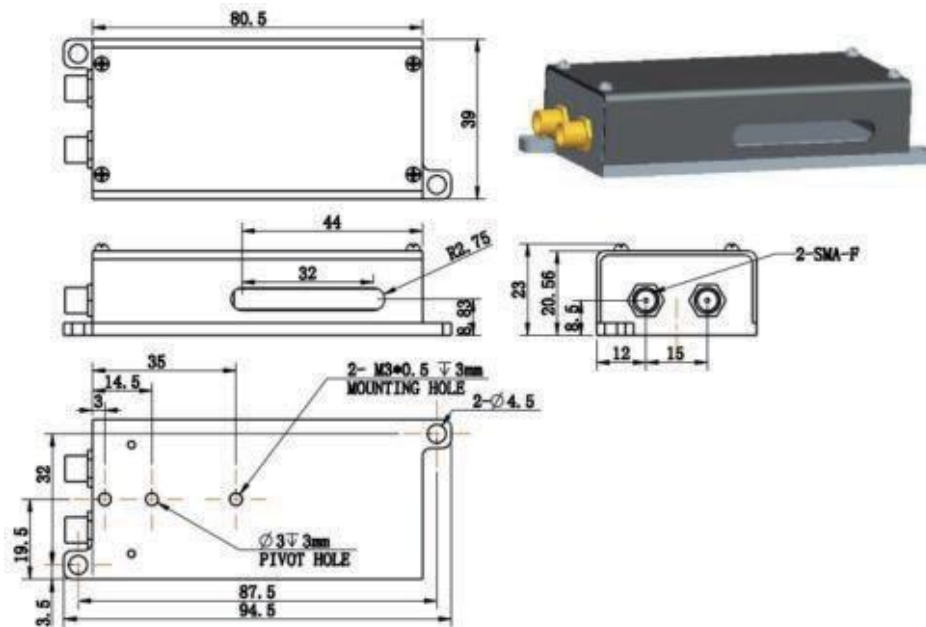
DATASHEET

Mechanical Dimensions (mm)

Package A



Package B



*Product dimensions may change without notice. This is sometimes required for non-standard specifications.

P +1 781-935-1200

E sales@agiltron.com

W www.agiltron.com

Acousto-Optic Beam Deflectors Quartz UV

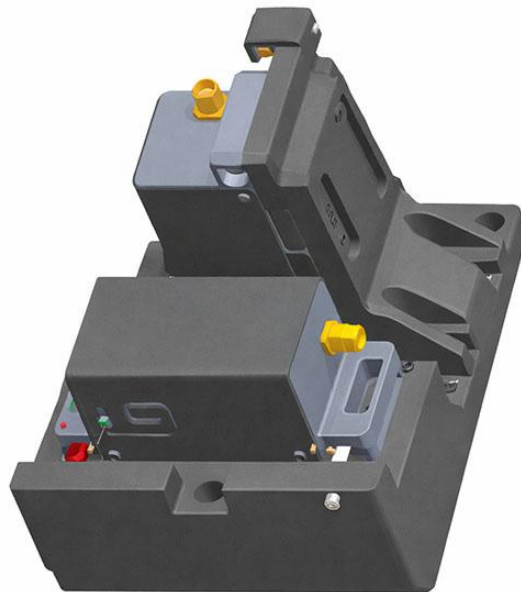
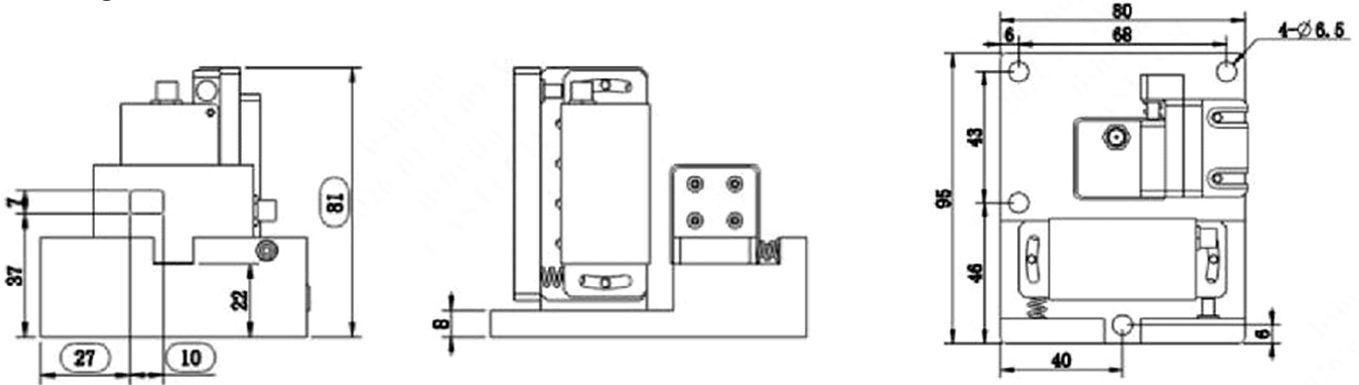
266nm, 355nm, Ø3, Ø5, Ø7mm



DATASHEET

Mechanical Dimensions (mm) 2D 3.0mm x 3.0mm aperture

Package C



*Product dimensions may change without notice. This is sometimes required for non-standard specifications.

P +1 781-935-1200

E sales@agiltron.com

W www.agiltron.com

Information contained herein is deemed to be reliable and accurate as of the issue date. We reserve the right to change the design or specifications at any time without notice. Agiltron is a registered trademark of Optowares Corporation in the U.S. and other countries.

Acousto-Optic Beam Deflectors Quartz UV

266nm, 355nm, Ø3, Ø5, Ø7mm



DATASHEET

Ordering Information (Part Number)

	Q	<input type="checkbox"/>	<input type="checkbox"/> <input type="checkbox"/> <input type="checkbox"/>	<input type="checkbox"/>	1	1	1
Prefix	Material	Direction	Wavelength	Driver			
AOBD-	Quartz =Q	1D = 1 2D = 2	266 nm = 266 355 nm = 355 395 nm = 395 Special = 000	Non = 1 Yes = 2			

Application Notes