



C-Band Band Separator

(patent pending)

Product Description

Agiltron BS series band separator is based on thin-film filter technology and micro-optics package. The C-band band separator functions separating C-band light from mixed-band light signals. It features excellent uniformity with wide wavelength range, low insertion loss, high isolation. These features give great flexibility for customer applications.

Agiltron expertise team is happy to provide customized optical solutions to meet customers' specific needs.

Performance Specifications

C-Band separator		Min	Typical	Max	Unit
Operation Wavelength	1310-Band	1290-1330			nm
	C-Band	1530-1565			
	L-Band	1570-1625			
Insertion Loss	1310-Band	1.0			dB
	C-Band	1.0			
	L-Band	1.5			
Isolation	30				dB
Polarization Dependent Loss			0.1	0.2	dB
Return Loss		45			dB
Operating Temperature		0		70	°C
Storage Temperature		-40		85	°C
Package Dimension		(L) 110 x (W) 85X (H) 7			mm

Features

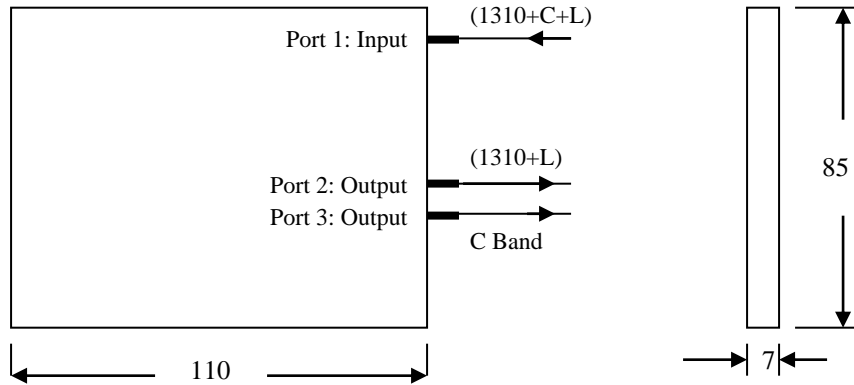
- Excellent Uniformity
- Low Excess Loss
- Low Polarization Sensitivity
- Highly Stable & Reliable
- Competitive cost
- Customized Design

Applications

- Telecommunications
- CATV Fiber-optic Links
- Fiber Amplifier System
- Fiber-optic Instrumentation

C-Band Band Separator

Mechanical Dimension (mm)



*Product dimensions may change without notice. This is sometimes required for non-standard specifications.

Ordering Information

BS-	Type	Wavelength	Grade	Package	Configuration	Port	Fiber Type	Connector Type
1		Standard =1 Special = 0	Regular =1 Special = 0	Standard =1 Special = 0	Standard =1 Special = 0	3port = 1 Special=0	SMF-28 250um =1 900um loose tube =3 Special=0	None = 1 FC/PC = 2 FC/APC = 3 SC/PC = 4 SC/APC = 5 ST/PC = 6 LC = 7 Special = 0