



15 Cabot Road
Woburn, MA 01801

Tel: 781-935-1200
Fax: 781-935-2040
info@agiltron.com
www.agiltron.com

Evaluation Kit & Driver User's Guide[©]

1. Introduction

This document describes the operation of the Evaluation Kit and Driver Ver. SW-DR-1 for exclusive use with the Agiltron MxN CrystaLatch™ (CL) series, LightBend™ (LB) series optical switches and DD series digital photonic delay lines. The evaluation board integrates both USB and TTL interfaces and provides the control logic and configurations for customized control of NxM optical switches. A Windows® application program is included for evaluation, testing, and demonstration of switch and delay line operation.

The Evaluation Kit includes an electronic circuit board, a serial port connection cable, and a power supply.

The delivered Evaluation Kit circuit is internally programmed for drive compatibility with only one switch configuration.

2. Circuit board layout and functions

Fig. 1,2 shows the layout of evaluation kit circuit board (control board and switch board) for reference in the following description of operation.

Hardware Control Functions

16-Pin Header (**J4**): User-configured control connector for TTL and RS232 with pin-out defined in Table 1.

DIP Switch (**J5**): Data input for TTL Emulator control

Push Button Switch (**SWITCH**): Write TTL Emulator input (as set by Dip Switch) to set switch state.

Push Button Switch (**READ**): Read TTL Emulator output (switch status) from switch controller to the switch and trigger LED indicator

LED Indicator (**LED2~5**): Indicates switch triggering performing Read Switch operation using the TTL Emulator function. The switch status is defined with 4 bits as in section 7

LED Indicator (**LED1, LED**): Power On indicator

USB min. (J1): Connector for communication with computer.

Power Jack (J2): Power supply connector. Power supply (+5V) is supplied with Evaluation Kit.

Electronic Connector (J3): 30-pin connector for connecting switch control board to switch board.

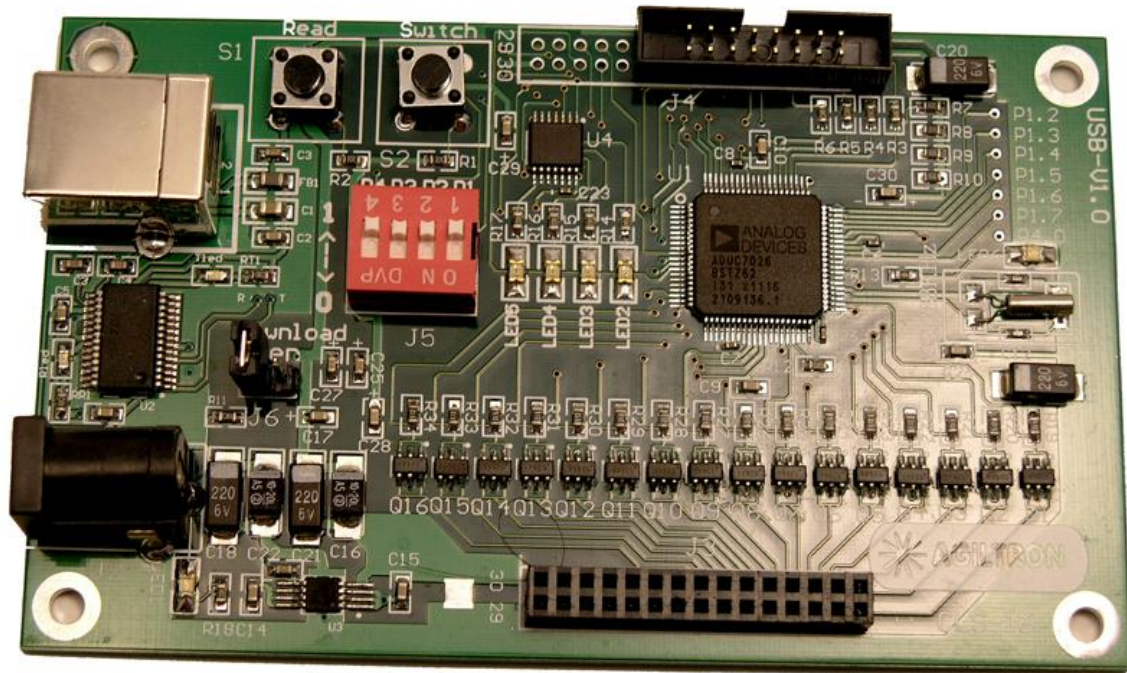


Fig. 1: Layout of evaluation kit control board.

Dimensioned Mechanical Date of the evaluation kit control board:

Board's size: 99 mm L X 60 mm W X 17 mm H

Distance of the holes: 91 mm (L side) X 52 mm (W side)

*(from a central of the hole to central of the hole)

Diameter of the holes: 3 mm

Dimensioned Mechanical Date of the evaluation kit switch board:

The same as the evaluation kit control board.

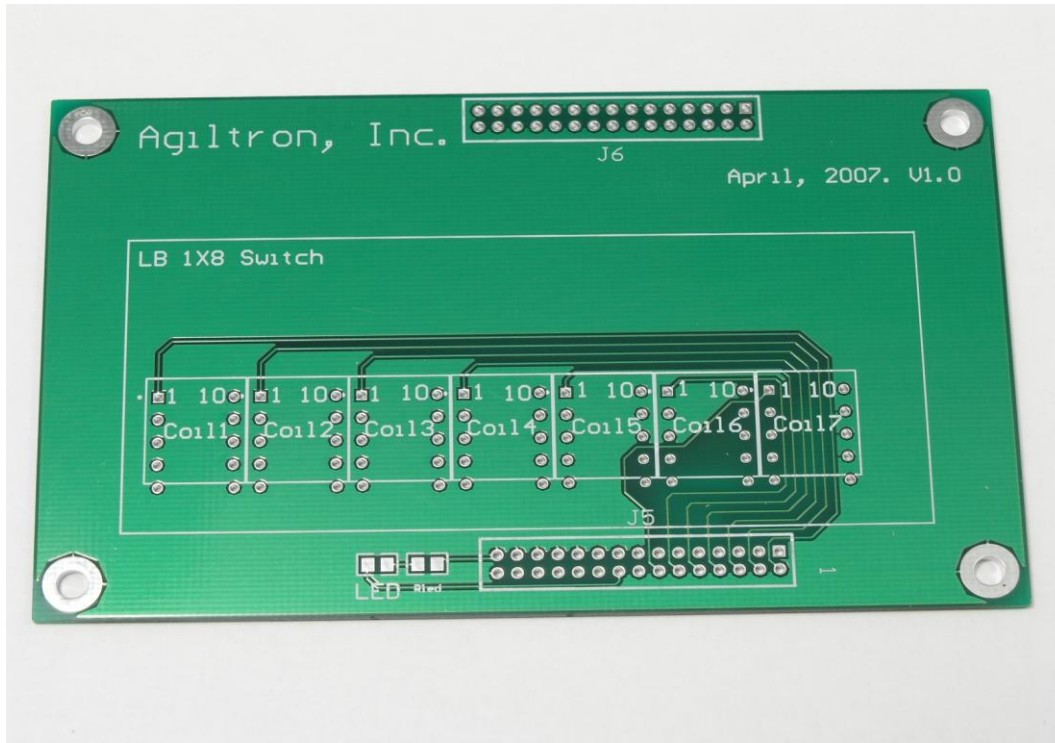


Fig. 2: Layout of evaluation kit switch board

Table 1 Connector Pin-Out (J4)

Pin #	Symbol	I/O	Description
1	+5V	In	+5V power supply
2	GND		Ground
3	D1	I/O	Switch status (least significant bit)
4	D2	I/O	Switch status
5	D3	I/O	Switch status
6	D4	I/O	Switch status (most significant bit)
7	NC		No Connect
8	NC		No Connect
9	SWITCH	In	High to low transition triggers switching. Keeps at low 15 μ s and then to go to high.
10	READ	In	High to low transition triggers reading. Keeps at low 15 μ s and then to go to high.
11	BUSY	Out	BUSY goes from high to low within 5 μ s at SWITCH/READ trigger. Then it goes from low to high at completion of a cycle time*.
12	NC		No Connect
13	Tx	Out	Tx of RS232 (LVTTTL)
14	Rx	In	Rx of RS232 (LVTTTL)
15	GND		Ground
16	+5V	In	+5V Power Supply

* : 1) Pin 17-30 reservation.

2) The cycle time is a time for the switch to finish a cycle. It is the switch voltage pulse width. You can find the date of the voltage pulse width from the switch datasheet or from our Web page.

The cycle time is a time for the READ only to finish an active of the read data.

3. Electrical Specifications

Table 2 provides the electrical specifications of the switch driver circuit board provided in the Evaluation Kit.

Table 2 Electrical Specifications

Parameters	Min	Nom	Max	Unit	Notes
Number of Coils	1		8		
Switching Voltage		5		V	
Switching Current (Pulse)			2	A	Individual coil
Total Switching Current (Continuous)			1.2	A	
Output Pulse Width	50		32,767	µs	Adjustable by calibration software
Power Supply Voltage	4.75	5.0	5.25	V	
Power Supply Current (No Switching)			50	mA	Hot pluggable. Less than 1.5A inrush current
RS232		±7		V	Direct connection to PC

4. Switch Configuration Setting

Agiltron has configured the Truth-Table logic in the circuit board firmware for a specific switch type.

5. Control MxN switch through Windows[®] and serial port computer connection

Please refer to Agiltron's *Fiberoptic Switch Evaluation Kit Windows[®] Switch Operation Program User's Guide[©]*

This document is included with the Evaluation Kit both in hard copy and on the accompanying CD.

6. Control MxN Switch through RS-232 in Command/Response format

Agiltron provides a switch control interface for customized programming through RS-232. The command set is compatible with most current versions of software development environments. The commands and responses are of fixed length binary format given in Table 3. There are 4 bytes for command and 4 bytes for response. The command set is provided in Table 4.

Table 3: RS232 Command/Response Format

Command:	<Addr>	<Code>	<Dx>	<Dy>
Response:	<Addr>	<Code>	<Dx>	<Dy>
<Addr>	Module Address: 0 for all modules and 1-255 for specified module. Default:1			
<Code>	Control Code: Refer to Command Code Table			
<Dx>	One byte data, high byte			
<Dy>	One byte data, low byte			

Table 4: RS232 Command Code Table

Code	Description
0x01	Read Module Address Address = <Dx> <Dy>
0x02	Set Module Address <Dx> <Dy> = 1 ~ 255
0x03	Read Module Serial Number (Higher 2 Bytes) S/N (Higher 2 Bytes) = <Dx> <Dy>
0x04	Read Module Serial Number (Lower 2 Bytes) S/N (Lower 2 Bytes) = <Dx> <Dy>
0x05	Read Module Type Type = <Dx> <Dy> (m × n switch: n — first two digits from left; m — third and fourth digit from left)
0x06	Read Module Version Hardware Version = <Dx> / 10; Firmware Version = <Dy> / 10
0x11	Read Switch Status N = <Dx><Dy> (D ₄ D ₃ D ₂ D ₁ D ₀ = N-1)
0x12	Set Switch to Status N (N = D ₄ D ₃ D ₂ D ₁ D ₀ +1, 1≤N≤32) <Dx><Dy> = N
0x13	Read Individual Switch Status Status = <Dx><Dy>. Bit-M: 0 — Switch (M+1) L Position; 1 — Switch (M+1) U Position;
0x14	Set Individual Switch Positions <Dx><Dy> Bit-M: 0 — Switch (M+1) L Position; 1 — Switch (M+1) U Position;
0x21	Read Module Alarm Normal: <Dx> <Dy> = 0 Temperature Alarm: [Bit-0 of <Dx> <Dy>] = 1 Power Supply Alarm: [Bit-1 of <Dx> <Dy>] = 1
0x22	Read Module Temperature T(°C) = <Dx> <Dy> / 10
0x23	Read Power Supply Voltage V(mV) = <Dx> <Dy>
0x31	Read Low Temperature Alarm Threshold T(°C) = <Dx> <Dy> / 10
0x32	Set Low Temperature Alarm Threshold <Dx> <Dy> = 10 × T(°C)
0x33	Read High Temperature Alarm Threshold T(°C) = <Dx> <Dy> / 10
0x34	Set High Temperature Alarm Threshold <Dx> <Dy> = 10 × T(°C)

7. Control of MxN switches using TTL interface

Switches control can also be implemented through the TTL interface. TTL control is provided through J4 connectors with its definition provided in Table 1. The switch position status is defined by 4-bits, given in Table 5.

If external TTL signal is used to control the switch, put all BITs on DIP switch (J5) to “1” position.

Table 5: TTL Bit Definition

D ₄ D ₃ D ₂ D ₁	0000	0001	0010	1101	1110	1111
Status	1	2	3	14	15	16

Timing diagram of TTL interface is illustrated in Fig.3.

8. Manual Control MxN Switches

Manual control emulation is provided on the evaluation board and is controlled as follows.

Read switch port status: Set D1~4 on **Dip Switch (J5)** to position 1. Press and hold READ push button switch and LED2~5 will indicates port status

Set switch port: Set D1~4 on **Dip Switch (J5)** to specified positions refer to Table 5. Press SWITCH push button switch

9. Serial Communication Port Setting

Three wire RS-232 serial port with no handshake, 9600 baud rate, 8 data bits, 1 stop bit, no parity bit.

10. For Command Control Example:

1) to change the CL 1X1 Switch to different status:

Command: 0x01 12 00 01 – OFF
 0x01 12 00 02 – ON

Detail: 1) 0x – this command is using HEX;
 2) 01 – Address, which means that it choose this board (our switch control board);
 3) 12 – CODE, which means that it is setting switch to status;
 4) D4, D3, D2, D1 – Status 0,0,0,1 or 0,0,0,2 (for 1x1 switch, D4-2 = 0,0,0, only D1 = 1 or 2; D1 is different status which is ON / OFF. Here is Hex. The ON is 1 and the OFF is 2);

2) To read the module address:

Command: 0x01 01 00 00

MxN Switch Timing Diagram

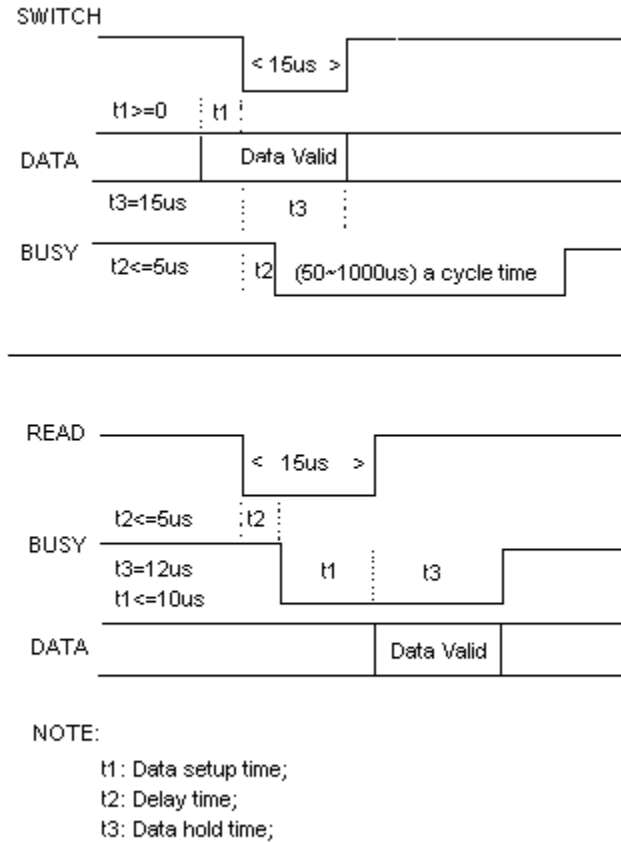


Fig. 3: Timing diagram of TTL Interface