

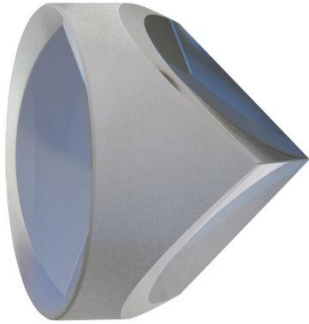
# Free Space Optical Retroreflector



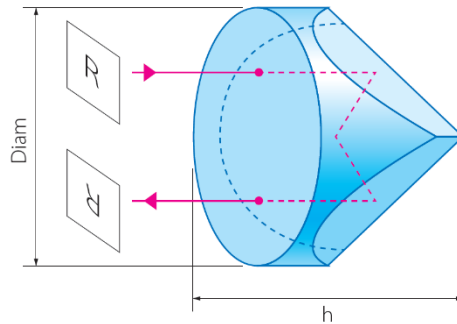
740-900nm, 800-1040nm, 1020-1100nm, 1250-1650nm

DATASHEET

[Return to the Webpage](#)



The FSRF free space optical retroreflectors reflect a light beam back 180° toward its original direction, achieved through prism total internal reflections. It is available in two aperture sizes: 10 mm and 25.4 mm in diameter. We have stocked wavelength bands: 740-900nm, 800-1040nm, 1020-1100nm, 1250-1650nm. Other wavelength bands are available as special orders. A mounted version is also offered for ease of use.



## Applications

- Instrumentation
- Delay Line
- Sensors

## Features

- Low Insertion Loss
- High Power
- High Reliability
- Low Cost
- Environmental Stability

## Specifications

Parameter	Min	Typical	Max	Unit
Reflectance (at 633 nm)		98		%
Wavelength Range	400		2500	nm
Material	Glass			dB
Mounting Type	Threaded, adhesive mount			
Angle of Incidence	Perpendicular to the surface			
Temperature Range	-40		80	°C
Maximum Power Handling (continuous)		10W		°C

Rev 05/01/25

© Photonwares Corporation

[+1 781-935-1200](tel:+17819351200)

[sales@photonwares.com](mailto:sales@photonwares.com)

[www.agiltron.com](http://www.agiltron.com)

Information contained herein is deemed to be reliable and accurate as of the issue date. Photonwares reserves the right to change the design or specifications at any time without notice. Agiltron is a registered trademark of Photonwares Corporation in the U.S. and other countries.

# Free Space Optical Retroreflector

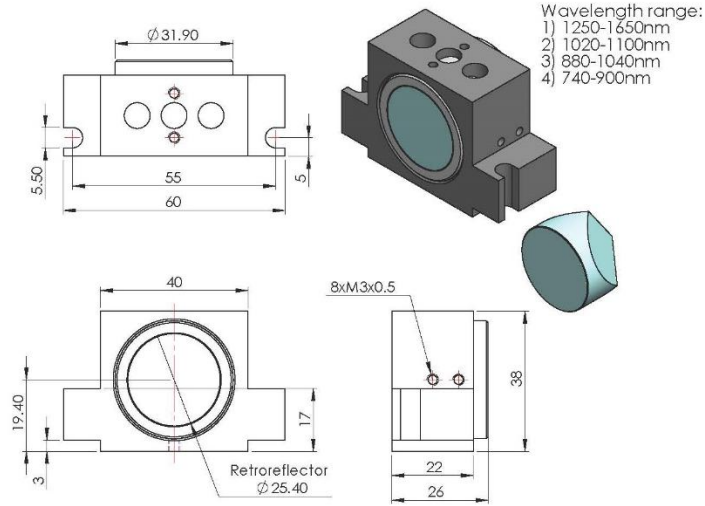


740-900nm, 800-1040nm, 1020-1100nm, 1250-1650nm

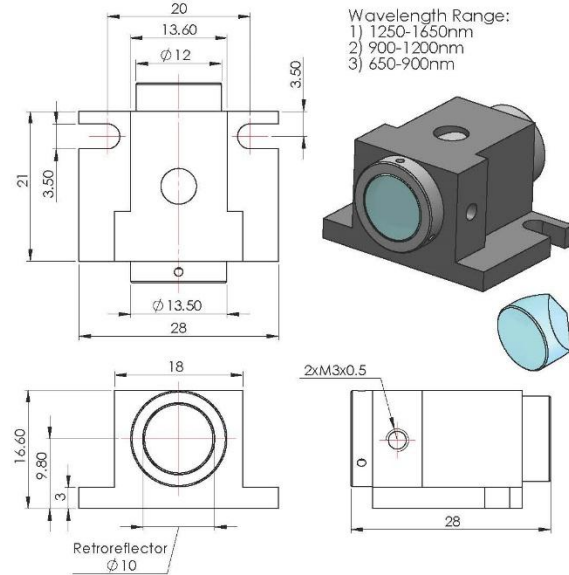
## DATASHEET

### Dimensions (mm)

■ Ø 25.4mm



■ Ø 10mm



\*Product dimensions may change without notice. This is sometimes required for non-standard specifications.

### Ordering Information (Part Number)

Prefix	Diameter	Wavelength	Mounting Bracket	11	11	1
FSRF-	10 mm = 1 25.4 mm = 2	740-900nm = 7 800-1040nm = 8 1020-1100nm = 1 1250-1650nm = 5 Special = 0	Non = 11 Yes = 22			