

Free Space Mini Type Optical Isolator

Product Description

The OITG Series Free Space optical Isolator is an unidirectional light valve that transmits light in normal direction while blocking backreflection and backscattering in the reverse direction. The device protects a laser source from destabilizing feedback or damage from back reflected light. The OIBG isolators have miniature package and suitable for compact and low power laser source. The standard isolator will rotate the polarization direction to 45 degree but the waveplate is optional to rotate the polarization of the output beam to a desired direction.

With Agiltron's proprietary magnetic-optics technology and proven advanced micro-optics design, it features low insertion loss, high isolation, compact structure, and high stability. Agiltron also provides customized design to meet special applications.

Features

- Low Insertion Loss
- High Isolation
- High Stability
- High Reliability
- Cost Effective

Performance Specifications

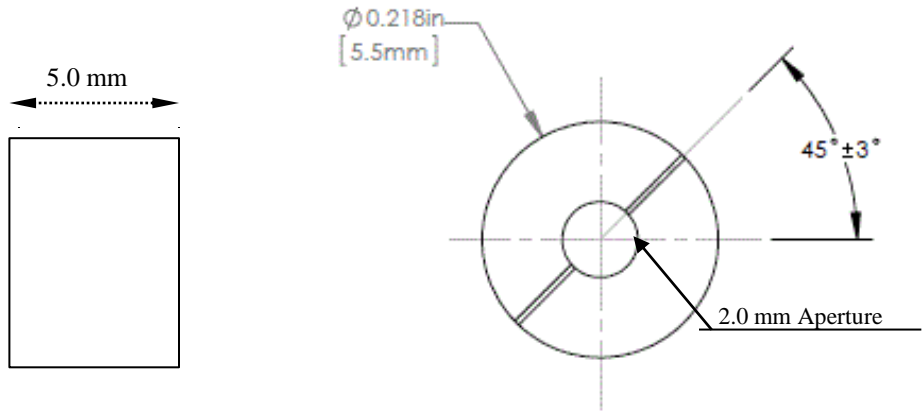
OI Series	Min	Typical	Max	Unit
Center Wavelength		1060		nm
Insertion Loss		0.8	1.2	dB
Wavelength Dependent Loss			0.2	dB
Isolation Single Stage	30	35	40	dB
Isolation Double Stage	40	45	55	dB
Optical Aperture Φ	2.0		5.0	mm
Power handling		0.2	10	W
Storage Temperature	-10		60	$^{\circ}$ C
Polarizer Type		Polacor (<0.2W)		
Polarizer Type		PBS Cube (>0.2W)		
Dimension (2 mm aperture)		Φ 5.5 x 5		mm

Applications

- Optic Sensor
- Laser Systems
- Test and Measurement
- Instrumentation

Free Space Mini Type Optical Isolator

Mechanic Dimension (single stage)



Order Information

OIBG-	<input type="checkbox"/>	<input type="checkbox"/>	<input type="checkbox"/>	<input type="checkbox"/>	<input type="checkbox"/>	<input type="checkbox"/>	<input type="checkbox"/>
	Type	Wavelength (nm)	Isolation Stage	Package	Waveplate Rotation	Mounting Plate	Polarizer
	Free Space =1 Special = 0	1060 =16	Single = 1 Double =2 Special = 0	Standard = 1 Special = 0	Yes = 1 No = 0	Yes = 1 No = 0	Polacore =2 PBS= 1