

LightBend™ Dual Mini 2x2 Bypass Multimode Fiberoptic Switch

(Bidirectional)

(Protected by U.S. patent 6823102 and pending patents)



DATASHEET

[Return to the Webpage](#)



Features

- Low Optical Distortions
- High Reliability
- Fail-Safe Latching
- Epoxy-Free Optical Path

Applications

- Channel Blocking
- Configurable Add/Drop
- System Monitoring
- Instrumentation

The LB Series Dual Mini 2x2 Bypass multimode OptoMechanical Fiberoptic switch integrated 2 simultaneously activated 2x2 Bypass switches in a single compact format. The device connects optical channels by redirecting incoming optical signals into selected output fibers. This is achieved using a patented opto-mechanical configuration and activated via an electrical control signal. Latching operation preserves the selected optical path after the drive signal has been removed. The switch has integrated electrical position sensors. This novel design significantly reduces moving part position sensitivity, offering unprecedented high stability as well as an unmatched low cost. The switch is bidirectional.

We offer tight-bend-fiber version, which reduces the minimum bending radius from normal 15 mm to 7 mm. This feature enables smaller overall foot print.

Specifications

Parameter	Min	Typical	Max	Unit
Operation Wavelength	Single Band: 850, 1310, 1410, 1550			nm
	Dual Band: 850 and 1310			
Insertion Loss ^{[1], [2], [3]}		0.6	1.0	dB
Wavelength Dependent Loss			0.30	dB
Return Loss ^{[1], [2], [3]}	35			dB
Cross Talk ^{[1], [3]}	35			dB
Switching Time		3	10	ms
Repeatability			±0.02	dB
Durability	10 ⁷			cycle
Operating Voltage	4.5	5	6	VDC
Operating Current		30	60	mA
Voltage Pulse Width (Latching Type)		20		ms
Switching Type	Latching / Non-Latching			
Operating Temperature	-5		70	°C
Optical Power Handling ^[4]		300	500	mW
Storage Temperature	-40		85	°C

Notes:

- [1]. Insertion loss excludes connector.
- [2]. Light source CPR<14dB.
- [3]. Our device is designed and optimized for certain laser launch condition which is characterized as CPR value. In general, if application exceeds the specified CPR value, optical performance will become worsen.
- [4]. Continuous operation, for pulse operation call.

Warning: This device must use the reference circuit to driver otherwise it is unstable

Legal notices: All product information is believed to be accurate and is subject to change without notice. Information contained herein shall legally bind Agiltron only if it is specifically incorporated into the terms and conditions of a sales agreement. Some specific combinations of options may not be available. The user assumes all risks and liability whatsoever in connection with the use of a product or its application.

Rev 02/06/25

LightBend™ Dual Mini 2x2 Bypass Multimode Fiberoptic Switch

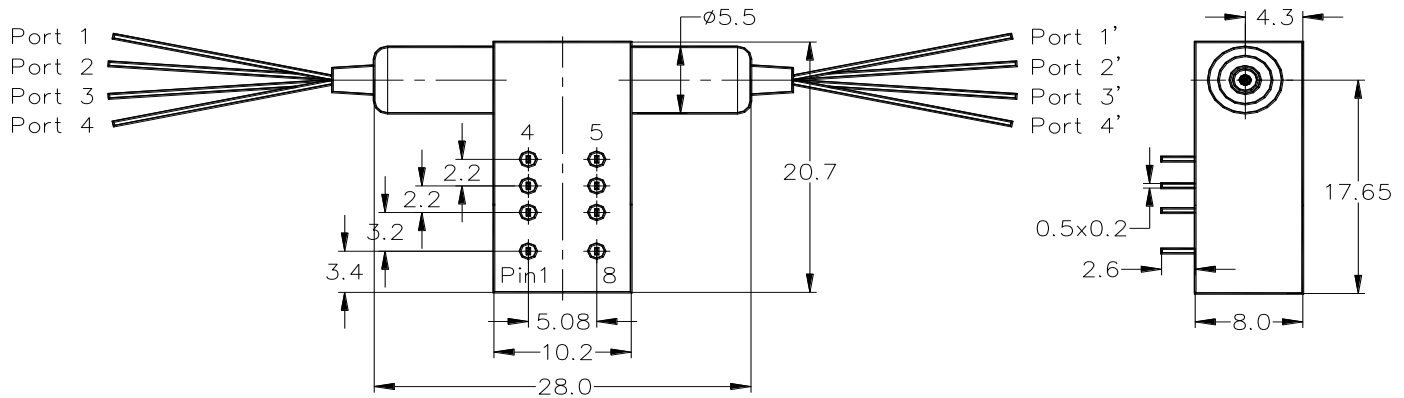
(Bidirectional)

(Protected by U.S. patent 6823102 and pending patents)



DATASHEET

Mechanical Dimensions (mm)



*Product dimensions may change without notice. This is sometimes required for non-standard specifications.

Electrical Connector Configurations

The load is a resistive coil which is activated by applying 5V (draw ~ 40mA). However, the current flow direction must be correct otherwise it will cancel the permanent magnet inside causing instability. We strongly recommend to use the reference circuit to avoid major issues. We offer pushbutton elevation driver for verifications or convenient income inspection.

Latching Type

Optical Path	Electric Drive		Status Sensor			
	Pin 1	Pin 8	Pin 2-3	Pin 3-4	Pin 5-6	Pin 6-7
1→1', 2→2' 3→3', 4→4'	GND	5V Pulse	Close	Open	Open	Close
1→3', 2→4'	5V	GND	Open	Close	Close	Open

Non-Latching Type

Optical Path	Electric Drive		Status Sensor			
	Pin 1	Pin 8	Pin 2-3	Pin 3-4	Pin 5-6	Pin 6-7
1→1', 2→2' 3→3', 4→4'	No Power		Close	Open	Open	Close
1→3', 2→4'	5V	GND	Open	Close	Close	Open

LightBend™ Dual Mini 2x2 Bypass Multimode Fiberoptic Switch

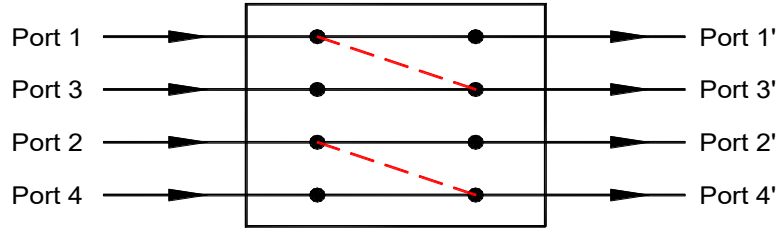
(Bidirectional)

(Protected by U.S. patent 6823102 and pending patents)



DATASHEET

Functional Diagram



LB Dual Mini 2x2 Bypass MM Switch

Ordering Information (Part Number)

Prefix	Type	Wavelength	Switch	Package	Fiber Type	Fiber Cover	Fiber Length	Connector ^[2]
LMDB- ^[1]	Dual 2x2 = 22 Special = 00	1060 = 1 C+L = 2 1310 = 3 1410 = 4 1550 = 5 650 = 6 780 = 7 850 = 8 1310 & 1550 = 9 850 & 1310 = A Special = 0	Latching Type = 1 Non-Latching Type = 2 Special = 0	Standard = 1 Special = 0	MM 50/125 = 5 MM 62.5/125 = 6 Special = 0	Bare fiber = 1 900µm tube = 3 Special = 0	0.25m = 1 0.5m = 2 1.0m = 3 Special = 0	None = 1 FC/PC = 2 FC/APC = 3 SC/PC = 4 SC/APC = 5 ST/PC = 6 LC/PC = 7 Duplex LC/PC = 8 LC/UPC = U Special = 0

[1]. LMDB – Light Bend Mini Dual Bypass Switch.

[2]. The connector cannot be installed directly onto bare fiber, as it is prone to damage during shipping. However, the connector can be assembled on bare fiber if a 3 cm protective loose tube is added for reinforcement. The customer can remove this protective tube after testing. The optical power handling of a standard connector is less than 0.5 W for SM28 fiber and decreases further with smaller core fibers.

Fiber Core Alignment

Note that the minimum attenuation for these devices depends on excellent core-to-core alignment when the connectors are mated. This is crucial for shorter wavelengths with smaller fiber core diameters that can increase the loss of many decibels above the specification if they are not perfectly aligned. Different vendors' connectors may not mate well with each other, especially for angled APC.

Fiber Cleanliness

Fibers with smaller core diameters (<5 µm) must be kept extremely clean, contamination at fiber-fiber interfaces, combined with the high optical power density, can lead to significant optical damage. This type of damage usually requires re-polishing or replacement of the connector.

Maximum Optical Input Power

Due to their small fiber core diameters for short wavelength and high photon energies, the damage thresholds for device is substantially reduced than the common 1550nm fiber. To avoid damage to the exposed fiber end faces and internal components, the optical input power should never exceed 20 mW for wavelengths shorter 650nm. We produce a special version to increase the how handling by expanding the core side at the fiber ends.

LightBend™ Dual Mini 2x2 Bypass Multimode Fiberoptic Switch

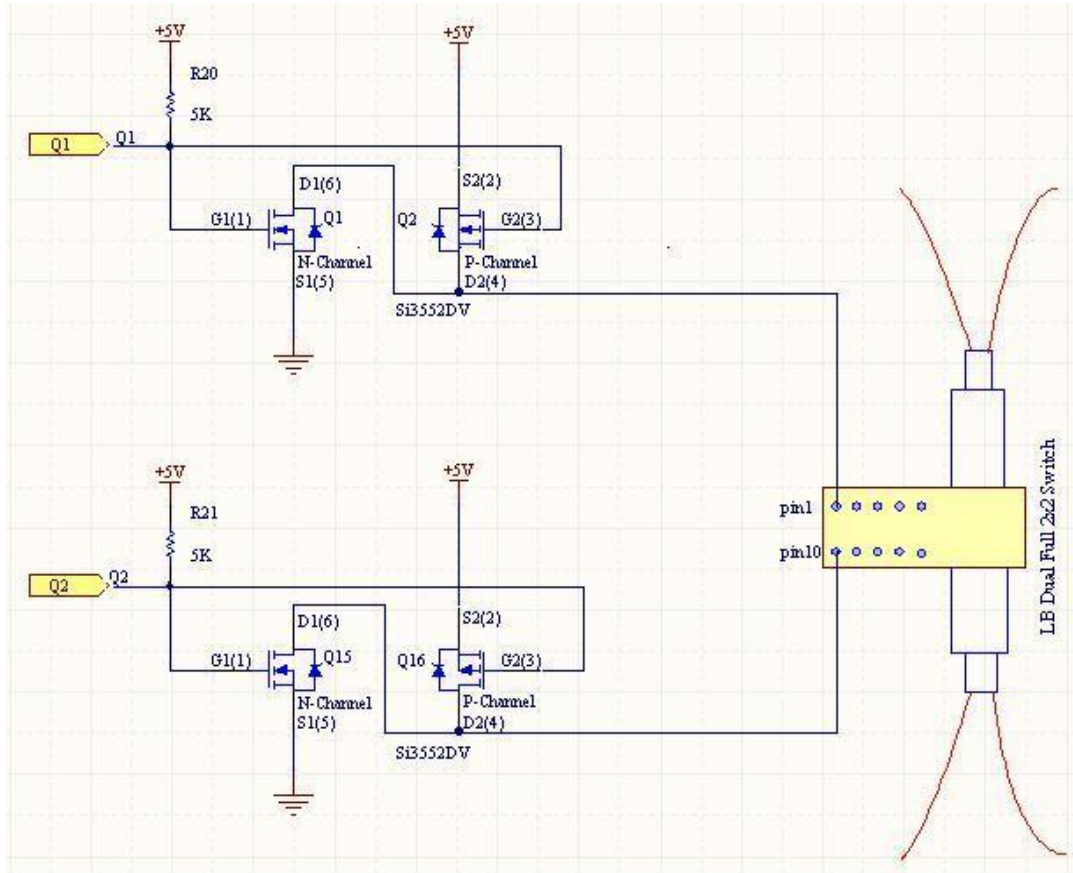
(Bidirectional)

(Protected by U.S. patent 6823102 and pending patents)



DATASHEET

Driver Reference Design



LightBend™ Dual Mini 2x2 Bypass Multimode Fiberoptic Switch

(Bidirectional)

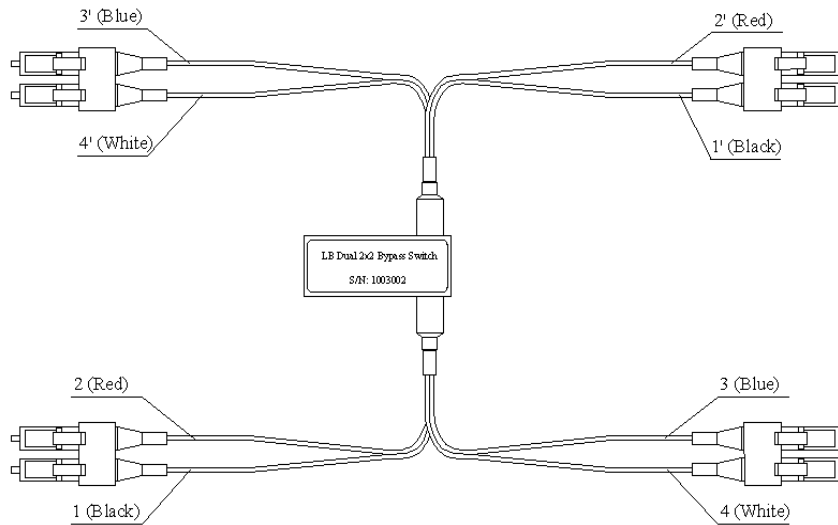
(Protected by U.S. patent 6823102 and pending patents)



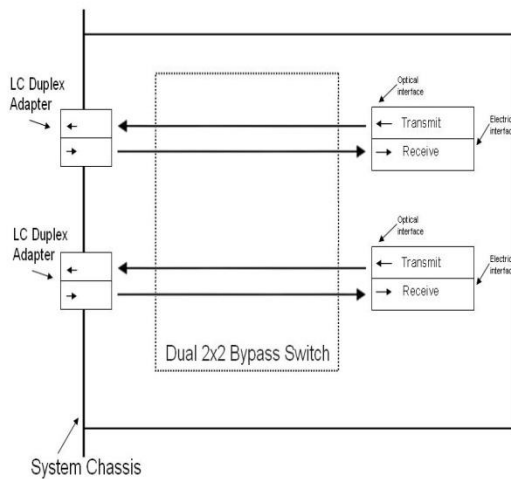
DATASHEET

Application

Prepared with 4 duplex LC connectors and customized fiber length for convenient installation



Normal Mode



Bypass Mode

